
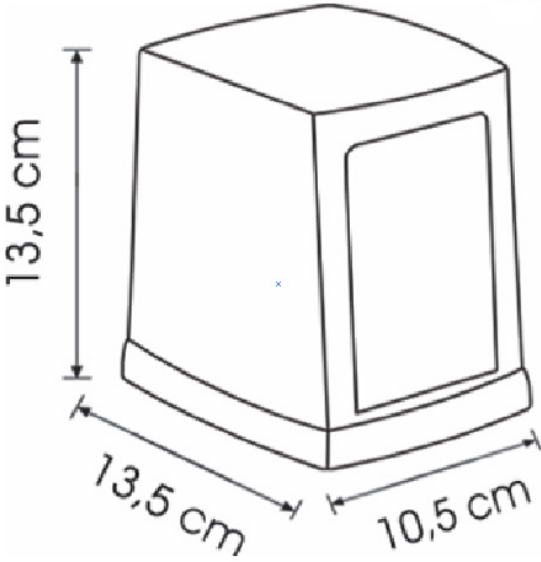
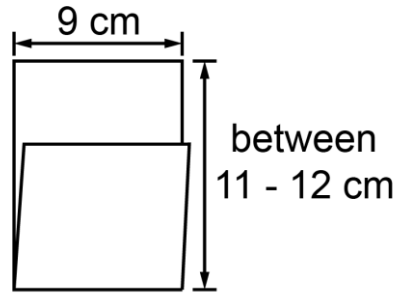


TECHNICAL SPECIFICATIONS

APPEARANCE OF THE PRODUCT		
PHOTO	SCHEMA	
	 <p style="text-align: right;">NP80</p>	
DESCRIPTIONS		
Description of Product	Napkin Dispenser (European Standard)	
Product Code	NP80 / NP80B / NP80M / NP80A	
Color	White / Black / Metallic / Wood Effect	
Material	ABS Plastic + Metallic Dye	
Dimensions (Height x Width x Depth in cm)	13,5 x 13,5 x 10,5 cm	
PROPER NAPKIN SPECIFICATIONS		
Suitable Tissue Type	Paper Napkin	
Width of Napkin Paper After Folding	9 cm	
Height of Napkin Paper After Folding	between 11-12 cm	
MANUFACTURER INFORMATION		
Manufacturer	Oguzhan Plasctics and Moulding Co. Ltd.	
Origin	Made in Turkey	

Last Update: 25.11.2020