
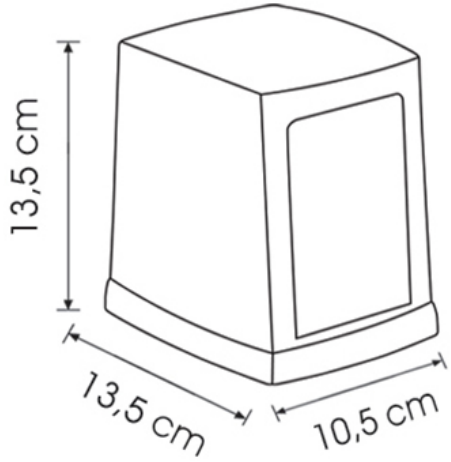


TECHNICAL SPECIFICATION

APPEARANCE OF THE PRODUCT	
PHOTO	SCHEMA
	
DESCRIPTIONS	
Description of Product	Napkin Dispenser (European Standard)
Product Code	NP80A
Colour	Wooden
Material	ABS Plastic
Dimensions (Width x Depth x Height in cm)	10,5 x 13,5 x 13,5 cm
Barcode Number	869 742837 037 6
MANUFACTURER INFORMATION	
Manufacturer	Oguzhan Plastik ve Kalip San. Ltd. Sti.
Origin	Made in Turkey

VIDEO

